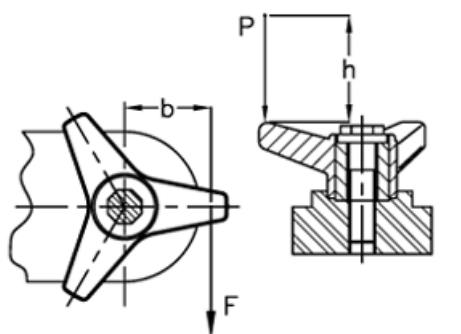
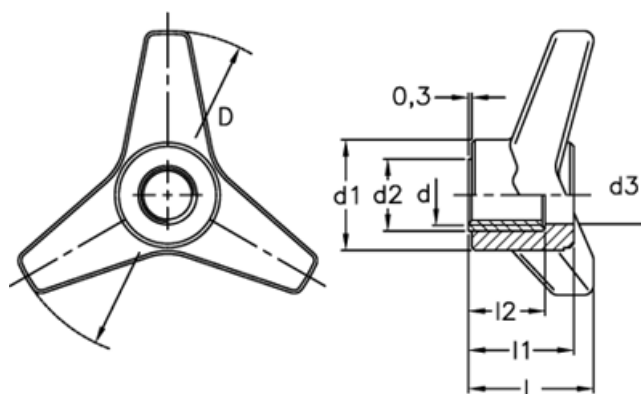


Article number: 2302065751
 Description: E+G Three-arm knob
 VB.639/130 FP-M16

Measures



$$C[N \cdot m] = F[N] \cdot b[m] \quad L[J] = P[N] \cdot h[m]$$

C (N m)	= 135	l1	= 40
D	= 130	l2	= 34
d1	= 43		
d2	= 24		
d3	= 22		
d 6H	= M16		
L	= 46		
L(J)	= 9		